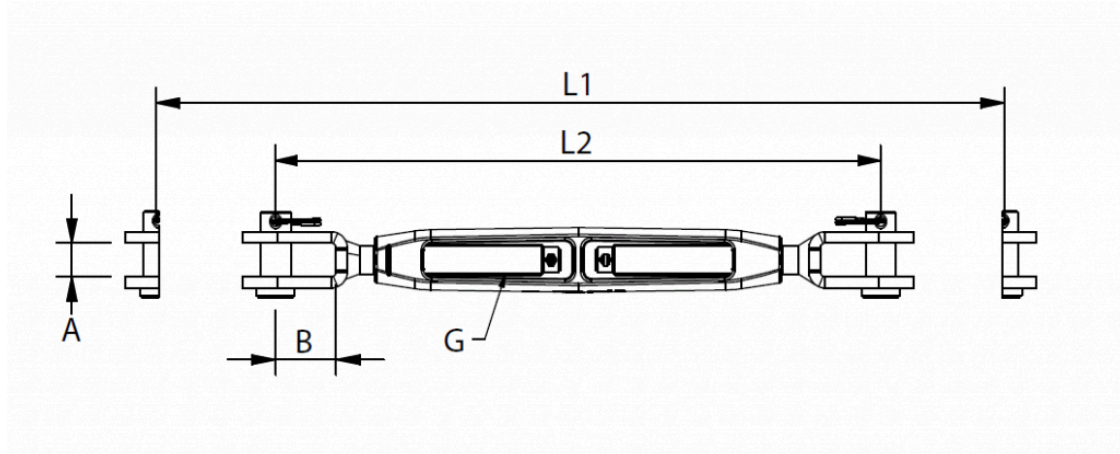


Rigging screw fork/fork UNF – open body

Polished stainless steel – AISI 316 and chromed bronze body

Technical drawing



Datatable

RIGGING SCREW FORK/FORK UNF													
F	R	W	M	ART. NO.	G	PIN	A	B	L1	L2	BL/KG	KG/100	PACK
			•	130006A	1/4"	6,35	9,5	14	204	144,7	1300	12	10
			•	130008A	5/16"	8	11	16,5	248	176	2200	16	10
			•	130010A	3/8"	9,5	12,5	21	276	202	3400	25	5
			•	130011A	7/16"	11	12	23	306	225	4600	35	5
			•	130012A	1/2"	12,7	14	25	350	253	6100	63,5	5
			•	130016AX	5/8"	15,7	17	32,5	439	316	9900	121	BULK
			•	130020A	3/4"	19	24	48	552	398	14400	218	BULK
			•	130022A	7/8"	22	30	57,5	651	471	19600	316	BULK
			•	130025A	1"	25,4	30	62	775	545	21400	490	BULK

The Blue Wave chromed bronze body features a number of details that makes it the best choice for exclusive and durable rigging. The sleek, open bronze body prevents the threads from seizing up.